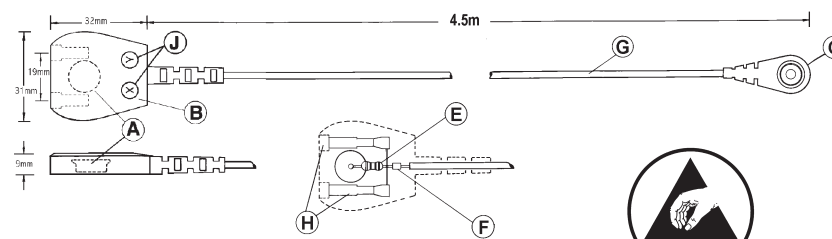


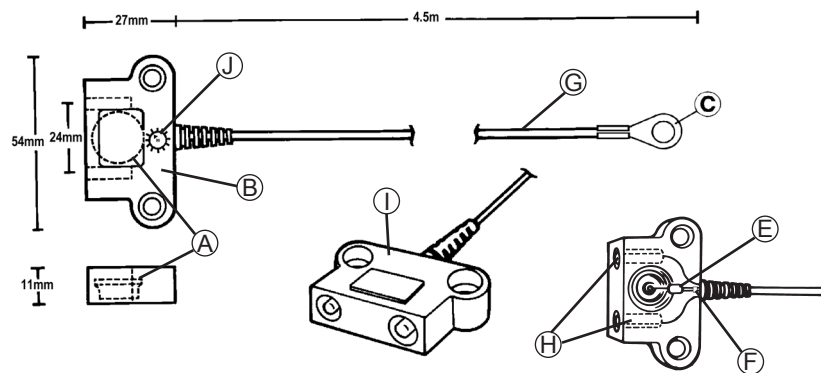
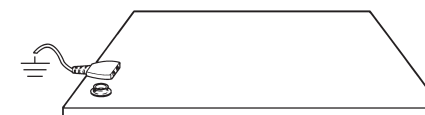
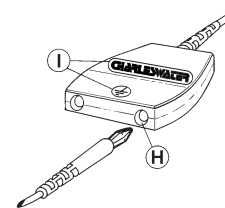
60348



60349



Grounds ESD Work Surface and Wrist Strap to Common Point



60361

- A. 10mm stud (Item [60348](#) and [60361](#)) or 10mm socket (Item [60349](#)) to ground work surface.
- B. Moulded in black thermoplastic elastomer.
- C. Ring terminal 5mm ID, (#10) (Items [60348](#) and [60361](#)), or 10mm socket (Item [60349](#)).
- D. Extra ring terminal included for customizing cord length.
- E. The [60348](#), [60349](#), and [60361](#) have a 1 megohm resistor between the snap and ground.
- F. Wire is autosplice crimped to secure it inside of the mould.
- G. High flex strand copper, 20 gauge, with PVC insulated jacket.
- H. Dual banana jacks (dual shrouded banana plugs for [60361](#)) at ground potential.
- I. Charleswater (and ground symbol on [60348](#) and [60349](#) models) moulded into the plastic.
- J. Date coded to show month and year of manufacture.

P/N	Description
<a href="#">60348</a>	Banana jack inputs, 10mm mat stud, 4.5m wire, ring terminal
<a href="#">60349</a>	Banana jack inputs, 10mm mat stud, 4.5m wire, 10mm socket
<a href="#">60361</a>	Shrouded banana plug inputs, 10mm mat stud, 4.5m wire, ring terminal



### Ground Point, Common Point, Workmat, With Ring

CHARLESWATER LTD.  
 UNIT 17. MILLBROOK BUSINESS PARK, SYBRON WAY  
 CROWBOROUGH, EAST SUSSEX TN6 3JZ UNITED KINGDOM  
 PHONE: 00 44 (0) 1892-665313, FAX: 00 44 (0) 1892-668838  
 INTERNET: [www.Charleswater.co.uk](http://www.Charleswater.co.uk)

Drawing Number  
 60348.E

DATE:  
 August  
 2009