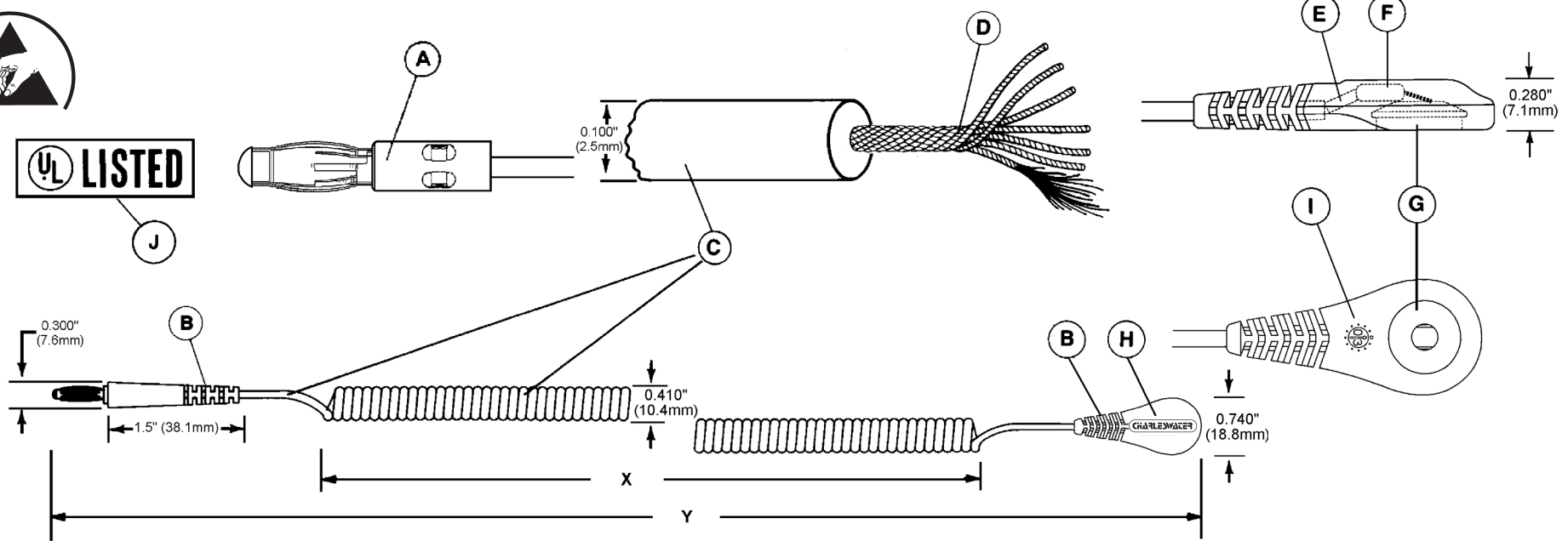




UL LISTED



- A. Barrel type banana plug with machined contour spring support*. Crimped uniformly from 4 sides for maximum strength. Fits industry standard banana jack ≥ 3.99 mm.
- B. Thermoplastic elastomer strain relief molded on. Flex life average $>1,000,000$ cycles (ANSI/ESD S1.1). Break load average 13.5 Kg.
- C. Relaxed retraction coil cord produces less tug force on wearer's wrist. Break load average 13.5 Kg. Wire insulation black colour PVC.
- D. Single T-2940 tinsel conductor. Consisting of 7 strands of polyester wrapped with copper. High flex life. Equivalent is 29 gauge (cir mil and/or ohms).
- E. Autosplice brass crimp secures conductors to resistor lead and provides stress relief for resistor.

- F. One megohm $\pm 5\%$, 1/4 watt, series resistor limits current for operator safety.
- G. Spring loaded 4mm medical snap socket. Spring separation 3.18 mm - 4.19 mm. Provides .45 Kg - 2.27 Kg breakaway from 4.06 mm snap stud (ANSI/ESD S1.1). Compatible with most major brands.
- H. Charleswater logo moulded in compliance with ANSI/ESD S1.1.
- I. Date coded with date of manufacture.

Meets wrist strap cord requirements of EN 61340-5-1 tested per ANSI/ESD S1.1. To be used with a [Single-Wire Wristband](#) (not included).

Termination	Length	*Resistor	SOCKET SIZE	
			4mm	10mm
Banana	1.8m	1 x 1	60341	
10mm Socket	1.8m	2 x 1	60334	60318

*U.S. Patent 5951337

Specifications and procedures subject to change without notice.



GROUND CORD, WRIST STRAP, RELAXED RETRACTION, COILED

CHARLESWATER LTD.
 UNIT 17. MILLBROOK BUSINESS PARK, SYBRON WAY
 CROWBOROUGH, EAST SUSSEX TN6 3JZ UNITED KINGDOM
 PHONE: 00 44 (0) 1892-665313
 INTERNET: Charleswater.co.uk

Drawing Number
60318.E

DATE:
 October
 2013